

# Driver Transistors

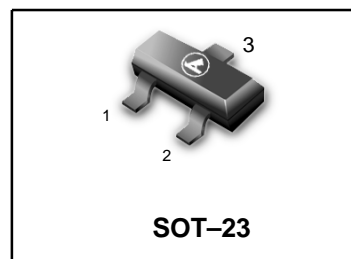
**LMBTA05LT1G**  
**LMBTA06LT1G**

## FEATURES

- We declare that the material of product compliance with RoHS requirements.

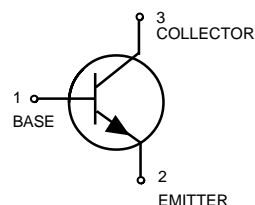
## MAXIMUM RATINGS

Rating	Symbol	Value		Unit
		LMBTA05	LMBTA06	
Collector–Emitter Voltage	$V_{CE0}$	60	80	Vdc
Collector–Base Voltage	$V_{CBO}$	60	80	Vdc
Emitter–Base Voltage	$V_{EBO}$	4.0		Vdc
Collector Current — Continuous	$I_C$	500		mAdc



## THERMAL CHARACTERISTICS

Characteristic	Symbol	Max	Unit
Total Device Dissipation FR–5 Board, (1) $T_A = 25^\circ\text{C}$	$P_D$	225	mW
Derate above $25^\circ\text{C}$		1.8	mW/ $^\circ\text{C}$
Thermal Resistance, Junction to Ambient	$R_{\theta JA}$	556	$^\circ\text{C}/\text{W}$
Total Device Dissipation Alumina Substrate, (2) $T_A = 25^\circ\text{C}$	$P_D$	300	mW
Derate above $25^\circ\text{C}$		2.4	mW/ $^\circ\text{C}$
Thermal Resistance, Junction to Ambient	$R_{\theta JA}$	417	$^\circ\text{C}/\text{W}$
Junction and Storage Temperature	$T_J, T_{stg}$	–55 to +150	$^\circ\text{C}$



## DEVICE MARKING

LMBTA05LT1G = 1H, LMBTA06LT1G = 1GM;

## ELECTRICAL CHARACTERISTICS ( $T_A = 25^\circ\text{C}$ unless otherwise noted.)

Characteristic	Symbol	Min	Max	Unit
----------------	--------	-----	-----	------

## OFF CHARACTERISTICS

Collector–Emitter Breakdown Voltage(3) ( $I_C = 1.0 \text{ mAdc}, I_B = 0$ )	$V_{(BR)CEO}$	60	—	Vdc
	LMBTA05	60	—	
	LMBTA06	80	—	
Emitter–Base Breakdown Voltage ( $I_E = 100 \mu\text{Adc}, I_C = 0$ )	$V_{(BR)EBO}$	4.0	—	Vdc
Collector Cutoff Current ( $V_{CE} = 60\text{Vdc}, I_B = 0$ )	$I_{CES}$	—	0.1	$\mu\text{Adc}$
Emitter Cutoff Current ( $V_{CB} = 60\text{Vdc}, I_E = 0$ )	$I_{CBO}$	—	0.1	$\mu\text{Adc}$
	LMBTA05	—	0.1	
	LMBTA06	—	0.1	

1. FR–5 =  $1.0 \times 0.75 \times 0.062$  in.

2. Alumina =  $0.4 \times 0.3 \times 0.024$  in. 99.5% alumina.

3. Pulse Test: Pulse Width  $\leq 300 \mu\text{s}$ , Duty Cycle  $\leq 2.0\%$ .

**LMBTA05LT1G LMBTA06LT1G**

**ELECTRICAL CHARACTERISTICS** ( $T_A = 25^\circ\text{C}$  unless otherwise noted) (Continued)

Characteristic	Symbol	Min	Max	Unit
----------------	--------	-----	-----	------

**DC CHARACTERISTICS**

DC Current Gain ( $I_C = 10\text{ mA}$ , $V_{CE} = 1.0\text{ Vdc}$ ) ( $I_C = 100\text{ mA}$ , $V_{CE} = 1.0\text{ Vdc}$ )	$h_{FE}$	100 100	— —	—
Collector–Emitter Saturation Voltage ( $I_C = 100\text{ mA}$ , $I_B = 10\text{ mA}$ )	$V_{CE(sat)}$	—	0.25	Vdc
Base–Emitter On Voltage ( $I_C = 100\text{ mA}$ , $V_{CE} = 1.0\text{ Vdc}$ )	$V_{BE(sat)}$	—	1.2	Vdc

**SMALL–SIGNAL CHARACTERISTICS**

Current –Gain – Bandwidth Product(4) ( $V_{CE} = 2.0\text{ V}$ , $I_C = 10\text{ mA}$ , $f = 100\text{ MHz}$ )	$f_T$	100	—	MHz
---	-------	-----	---	-----

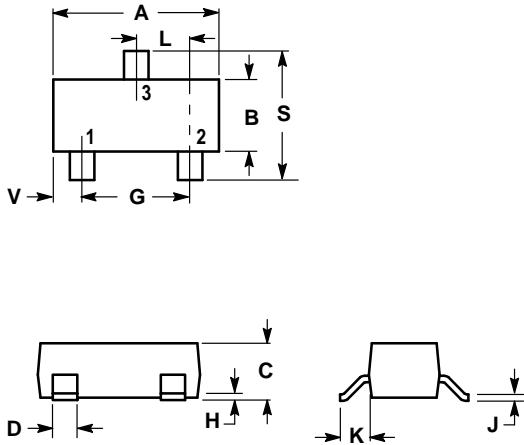
4.  $f_T$  is defined as the frequency at which  $|h_{fe}|$  extrapolates to unity.

**ORDERING INFORMATION**

Device	Marking	Shipping
LMBTA05LT1G	1H	3000/Tape & Reel
LMBTA06LT1G	1GM	3000/Tape & Reel
LMBTA05LT3G	1H	10000/Tape & Reel
LMBTA06LT3G	1GM	10000/Tape & Reel

LMBTA05LT1G LMBTA06LT1G

SOT-23



NOTES:

1. DIMENSIONING AND TOLERANCING PER ANSI Y14.5M, 1982.
2. CONTROLLING DIMENSION: INCH.

DIM	INCHES		MILLIMETERS	
	MIN	MAX	MIN	MAX
A	0.1102	0.1197	2.80	3.04
B	0.0472	0.0551	1.20	1.40
C	0.0350	0.0440	0.89	1.11
D	0.0150	0.0200	0.37	0.50
G	0.0701	0.0807	1.78	2.04
H	0.0005	0.0040	0.013	0.100
J	0.0034	0.0070	0.085	0.177
K	0.0140	0.0285	0.35	0.69
L	0.0350	0.0401	0.89	1.02
S	0.0830	0.1039	2.10	2.64
V	0.0177	0.0236	0.45	0.60

- PIN 1. BASE  
 2. EMITTER  
 3. COLLECTOR

